

MTC-2021

21.5" Fanless Multi-Touch Computer with Quad Core Intel® Bay Trail E3845 Processor



- 21.5" 16:9 Full HD (1920x1080) LCD Panel with LED Backlight
- Projected Capacitive Multi-touch Screen
- Fanless Design with Quad Core Intel® Atom™ E3845 Processor (Bay Trail)
- Touchscreen Works with Gloves
- IP65 Front Panel Protection
- Mounting Methods: Panel/ VESA
- 6 COM w/ 2 Isolated RS-232/ 422/ 485
- 2 GgE LAN, 1 USB 3.0, 2 USB 2.0, 8 GPIO
- 9V to 28V DC-in
- 3G/4G/GPS/GPRS/WiFi/Bluetooth (Optional)
- Sunlight Readable (Optional)

The 21.5 inch slim and ultra-compact Multi-Touch Panel PC, MTC-2021, housed in a 4.4 cm casing, weighs only 5.8 kg, is designed to fulfill a variety of applications in industrial environments. This all-in-one fanless multimedia panel PC is powered by a low-voltage high performance Quad Core Intel® Atom™ E3845 Processor (Bay Trail) and equipped with projected capacitive multi-touch screen that works with gloves.

The MTC-2021 is built-in 2 GbE LAN, 3 USB port, 6 COM port, 8 GPIO with optional 3G/4G/GPS/GPRS/WiFi/Bluetooth module. The wide operating temperature (0°C to +50°C), DC input range (9V to 28V), and the sunlight-readable option offer great reliability for operations in harsh environments. In addition, its IP65 grade front bezel protects the system from liquid damage. The MTC-2021 is an excellent HMI machine for applications in Intelligent Manufacturing System, Environmental Monitoring, Transportation, Internet of Things (IoT), self-service kiosk, and Retail outlets.





Application Scenario

Unit: mm (inch)

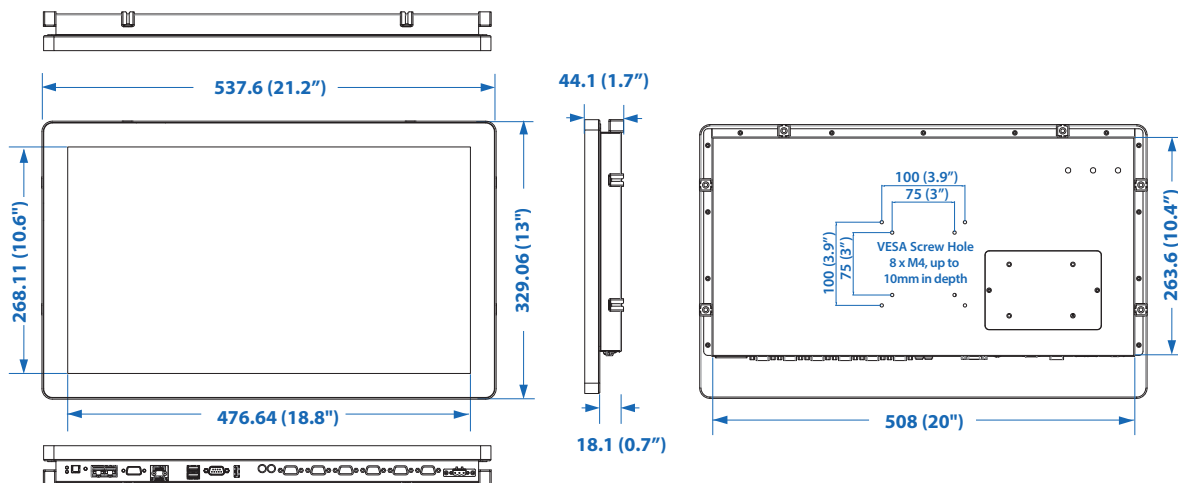
Intelligent Manufacturing System

Transportation

Environmental Monitoring

Self-service Kiosk

Retail



Specification

Display Panel

Type	a-Si TFT-LCD
Viewable Size Image	21.5" (16:9)
Resolution	1920 x 1080 (Full HD)
Display Color	16.7 M (RGB 8-bit)
Backlight	LED
Brightness (cd/m ²)	250 (Optional, up to 1200)
Viewing Angle	89/89/89/89 (L/R/U/D)
Contrast Ratio	3000:1

Touch Screen

Type	10-point Projected Capacitive
Transparency	≥ 85%
Surface Hardness	7H
Control Interface	USB

System

Processor	Quad Core Intel® Atom™ E3845 Processor (1.91GHz, Bay Trail)
Chipset	Intel® SoC
Memory	1 DDR3L 1333 SODIMM, up to 8GB
Display	VGA/ HDMI
Audio	Mic-in, Line-out
Software Support	Windows 8, Windows 7, WES7, Linux

Storage

SATA HDD	1 SATA II Port at 3.0Gb/s
mSATA	1 mSATA (Mini PCIe type)

I/O Interface

Serial	6 COM (2 RS-232, 4 RS-232/422/485) 2 Isolated RS-232/422/485 with 5K VDC
LAN	2 Intel® 82574L GbE LAN

USB	1 USB 3.0, 2 USB 2.0
GPIO	8 GPIO
Mini PCIe	• 1 Mini PCIe Socket (PCIe+USB +SIM Card Socket) • 1 Mini PCIe Socket (PCIe+USB) • 1 mSATA Socket • 3 Pre-cast Holes for Antenna

Others

GPS	Onboard GPS Module (Optional)
-----	-------------------------------

Power

Input	Terminal Block; DC-in 9V to 28V
Power Adapter	AC to DC 60W Power Adaptor (Optional)

Mechanical

Dimensions (WxHxD)	537.6 x 329.06 x 44.1 mm (21.2" x 13" x 1.7")
Gross Weight	5.8 kg (12.8 lb)
IP Protection	Front Panel IP65 compliant
Mounting	VESA mount (75 x 75mm, 100 x 100mm) Panel mount

Environment

Operating Temperature	0°C to 50°C (32°F to 122°F)
Storage Temperature	-20°C to 60°C (-4°F to 140°F)
Humidity	10% to 90%, non-condensing
Vibration	• IEC 60068-2-64 • Non-operation: 10Hz to 200Hz, 1.5 Grms, X, Y, Z, 30 mins each Axis
Shock	• IEC 60068-2-27 • 20G, half sine, 11ms
EMC	CE, FCC

Order Information

Part Number

MTC-2021

Description

21.5" Fanless Multi-Touch Computer with Intel® Bay Trail Quad-Core E3845 Processor

Option

DDR3L8G
DDR3L4G
PWA-60WP3
Panel-Mount
VESA-Mount

Description

Certified DDR3L-1600 8G RAM
Certified DDR3L-1600 4G RAM
60W, 24V/2.5A 100V AC to 240V AC Power Adapter for 3 Pin 5.0mm Terminal Block
Panel mount Kit
VESA Table Stand